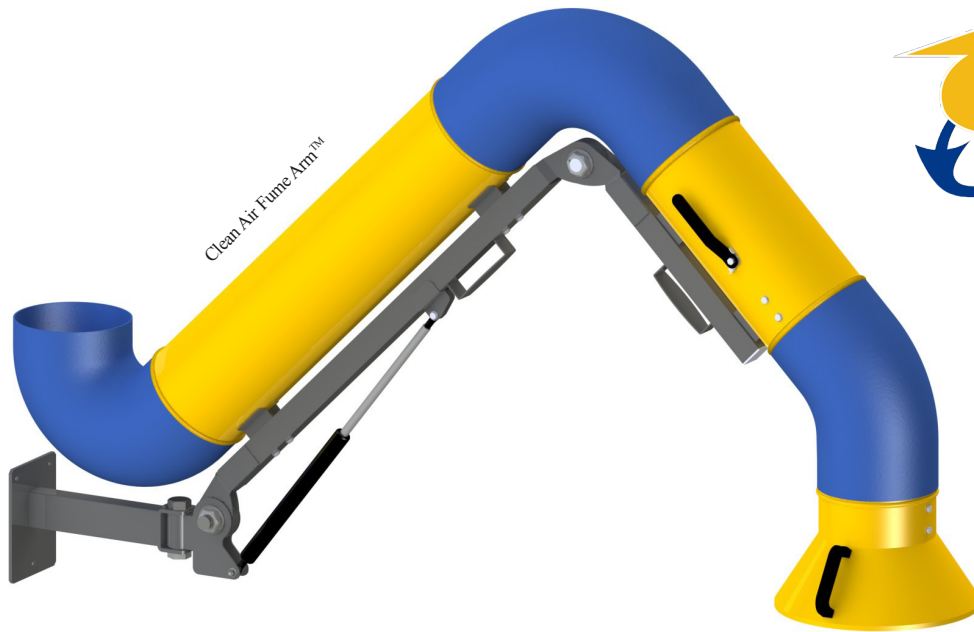


# Clean Air Fume Arm™

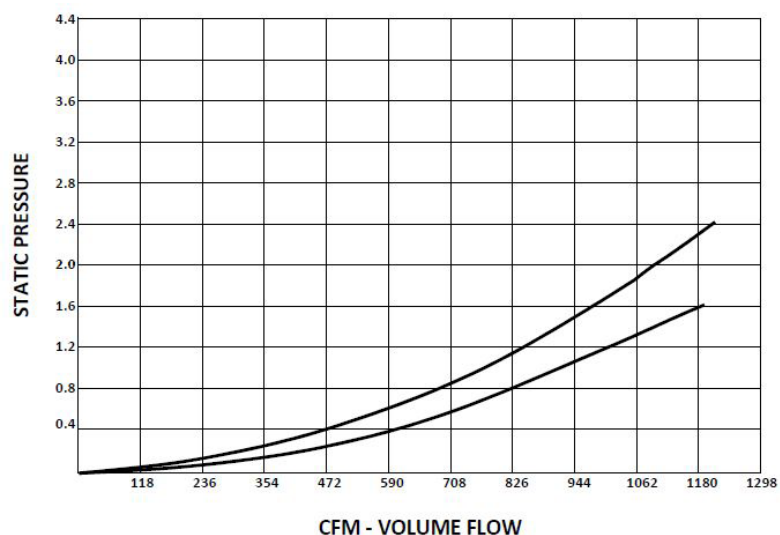
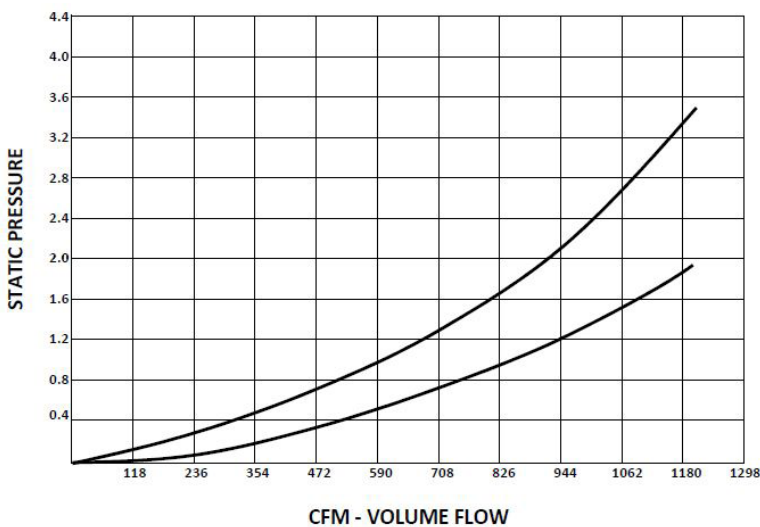


## Flexible, Site-Specific Extraction

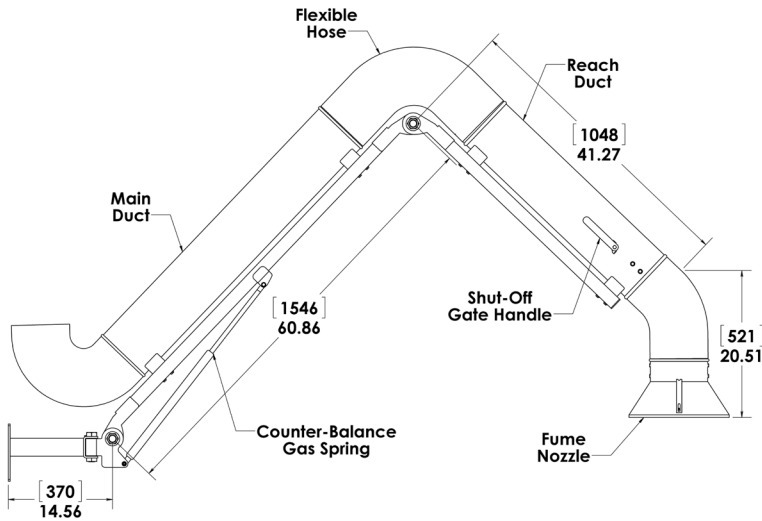
Low cost, local extractor for all kinds of worksites where flexible designs and efficient extraction are important

Easy to install, the Clean Air Fume Arm has a stable construction and is equipped with a gas spring that balances the weight of the arm. It is easy to maintain and adjust from the outside with hand tools. The Clean Air Fume Arm, with lengths of 6, 9 and 13 feet; 6" or 8" duct diameter, have a stable construction and is equipped with a gas spring to counterbalance the weight of the arm, thus making it is extremely easy to handle and always remains in position.

## Lost Pressure vs Flow Curves

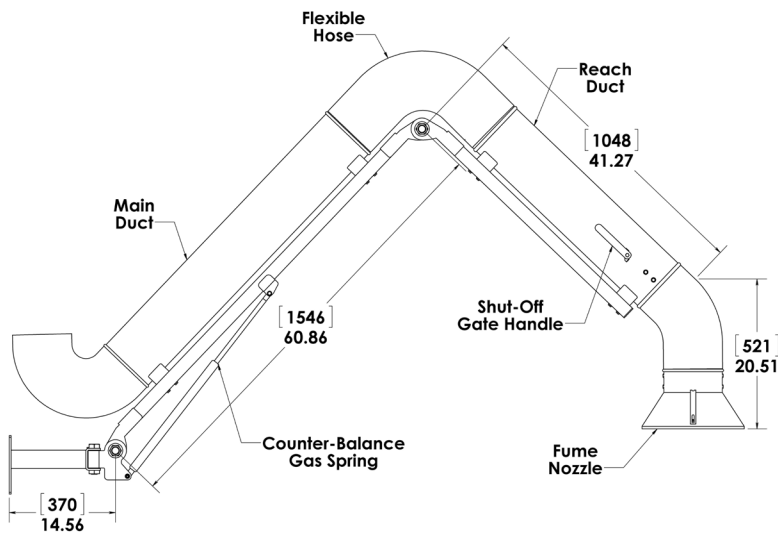


# Clean Air Fume Arm™



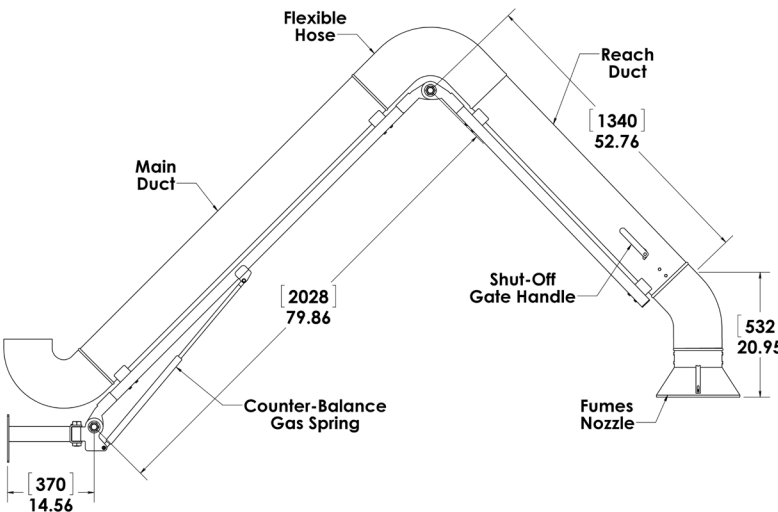
## 2 Meter Arm

- Wall-mount Length: ..... 14.5"
- Main Duct Length: ..... 41"
- Reach Duct Length: ..... 23"
- Nozzle Reach: ..... 21"
- Nozzle Diameter: ..... 16"
- Duct Diameter: ..... 6" or 8"
- Total Reach Approx: ..... 96"
- Approx. Weight: ..... 45 lbs.
- Flexihose (Blue or Grey)..... xx" approx.



## 3 Meter Arm

- Wall-mount Length: ..... 14.5"
- Main Duct Length: ..... 61"
- Reach Duct Length: ..... 42"
- Nozzle Reach: ..... 21"
- Nozzle Diameter: ..... 16"
- Duct Diameter: ..... 6" or 8"
- Total Reach Approx.: ..... 135"



## 4 Meter Arm

- Wall-mount Length: ..... 14.5"
- Main Duct Length: ..... 80"
- Reach Duct Length: ..... 53"
- Nozzle Reach: ..... 21"
- Nozzle Diameter: ..... 16"
- Duct Diameter: ..... 6" and 8"
- Total Reach Approx: ..... 167"
- Approx. Weight: ..... 65 lbs.