



**CLEAN AIR
AMERICA, INC.**

Clean Air Hood™ Specifications

A modular, simple, and highly flexible solution to creating a hood.

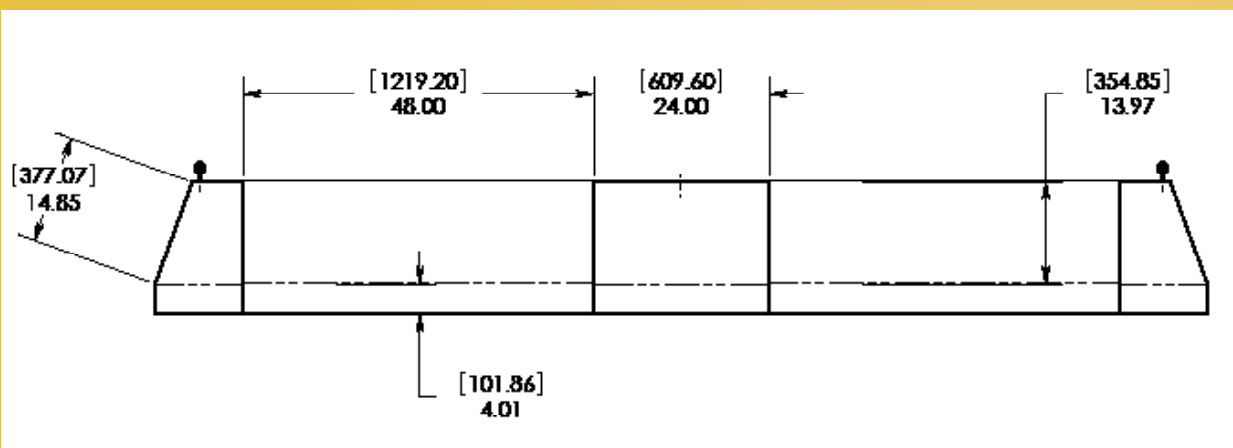
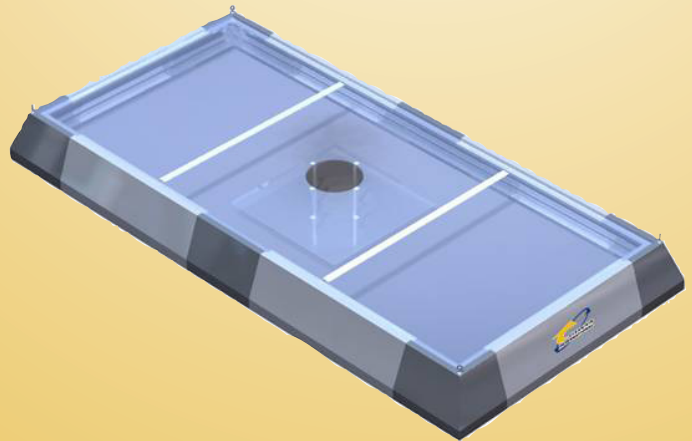


Clean Air Hoods are made to fit your application needs. The Clean Air Hood System is a modular hood designed to be efficient and cost effective, yet innovative in design. This system consists of a bolt-together panel system with a transparent polycarbonate or sheet metal top.

By using standard components, the Clean Air Hood system can be simply installed and modified on most welding stations or production lines. It comes standard with an intake baffle plate in order to avoid sparks from entering the ducting system and can be easily disassembled in order to clean when desired.

Features

- * Lightweight
- * Easy to Install and Take Apart for Cleaning
- * Completely Adjustable. Sizes from 2' and Beyond
- * Polycarbonate or Steel Top Panel
- * Can Be Hung From The Ceiling or Rest on The Cell Walls
- * Baffle plate comes standard with every hood to prevent sparks from getting into the ducting system.



©2010 Clean Air America, Inc.*All specifications are subject to change without notice.

7 Superior Drive SE Rome, GA 30161. TOLL FREE NUMBER (866) 665-1829 Phone (706) 291-1700

www.clean-air.com