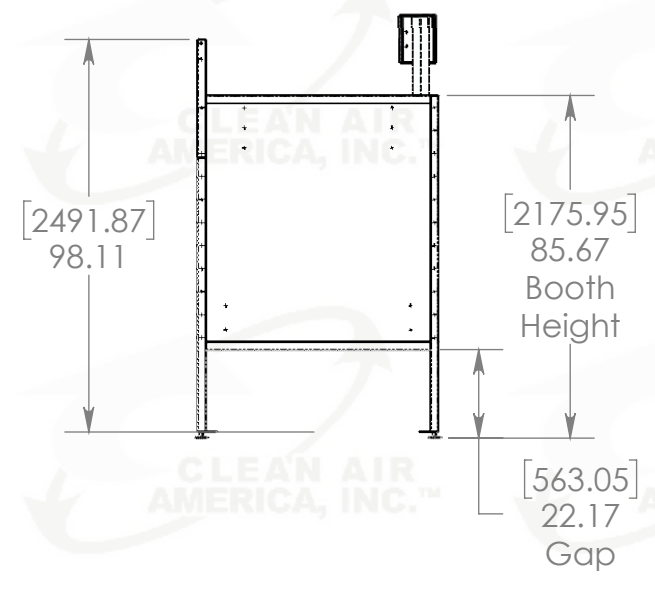
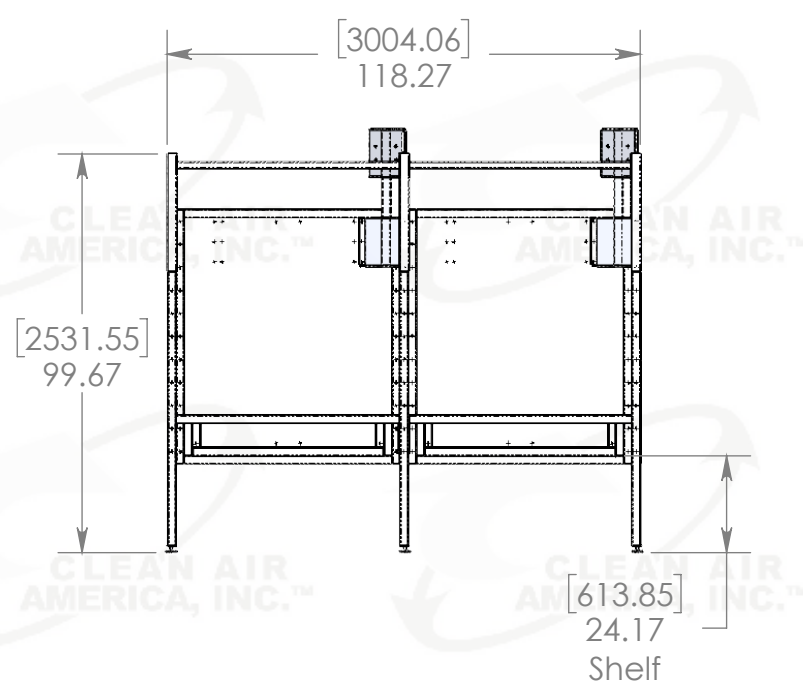
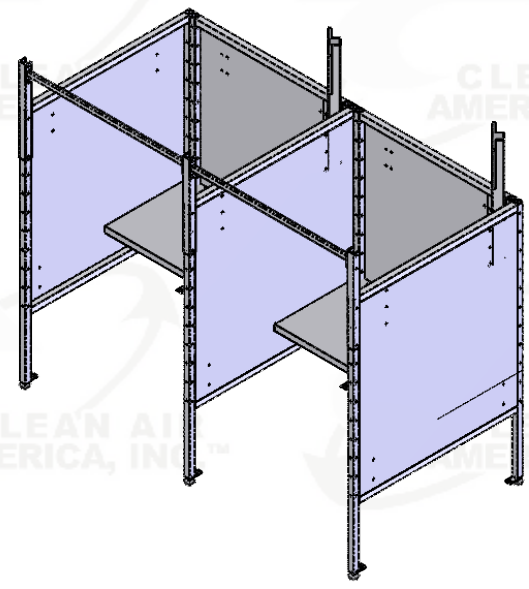
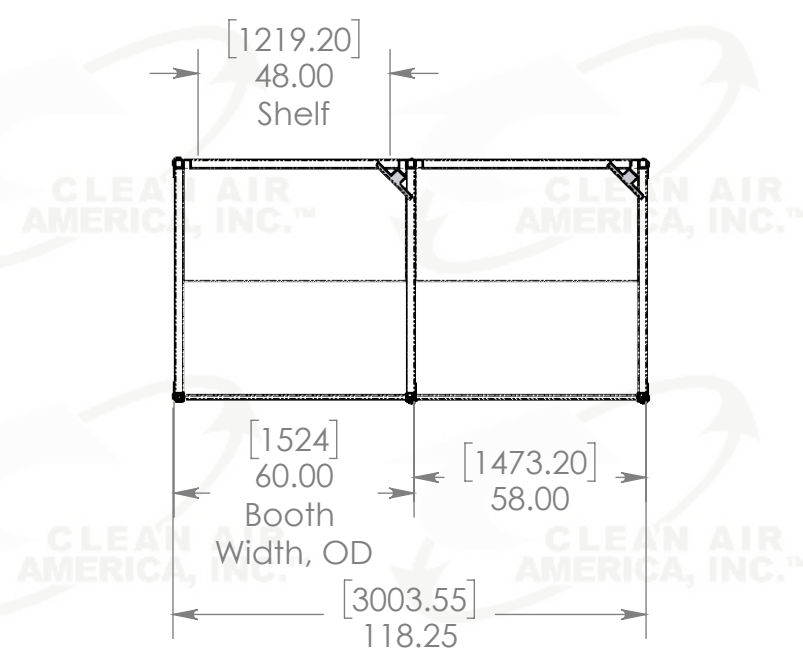


8 7 6 5 4 3 2 1

D
C
B
A



THE INFORMATION CONTAINED IN THIS DOCUMENT IS THE SOLE PROPERTY OF CLEAN AIR AMERICA, INC. AND MUST BE RETURNED UPON REQUEST. ANY REPRODUCTION OF THIS DOCUMENT, IN WHOLE OR PART, WITHOUT THE WRITTEN PERMISSION OF CLEAN AIR AMERICA, INC. IS STRICTLY PROHIBITED.
CAD GENERATED DRAWING. DO NOT MANUALLY UPDATE. DO NOT SCALE DRAWING.

UNLESS OTHERWISE SPECIFIED:
ALL BENDS ARE 90°
DIMENSIONS ARE IN:
MILLIMETERS AND INCHES
TOLERANCES ARE:
FRACTIONS ±1/32 DECIMALS .XX ±.03 ANGLES .X ±1°
XXX ±.015

ITEM NO.	38034		
STATION 1	STATION 3	MATERIAL	CAD FILE:
STATION 2	STATION 4	-- Gage	Draw3
		PART SIZE	WEIGHT
		--X--	1091.1432 lbs

DESCRIPTION	Bolted Booth Assy		QTY per BUILD	1
DRAWN BY	REVISED BY	SHEET SIZE	SCALE	1:64
Kelvin	Amador	A	PRE	SHEET: 1 OF 1
Wednesday, December 02, 2020 4:52:09 PM	Thursday, December 02, 2020 4:52:09 PM			

8 7 6 5 4 3 2 1