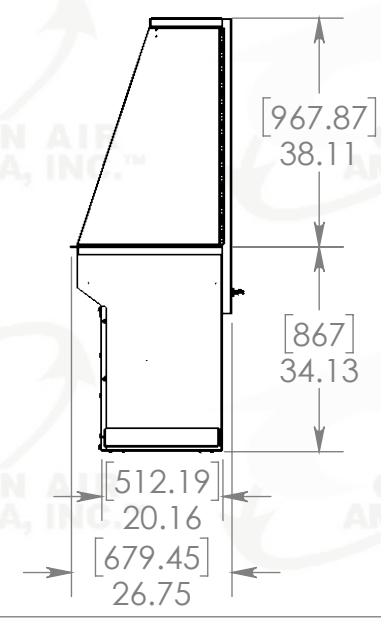
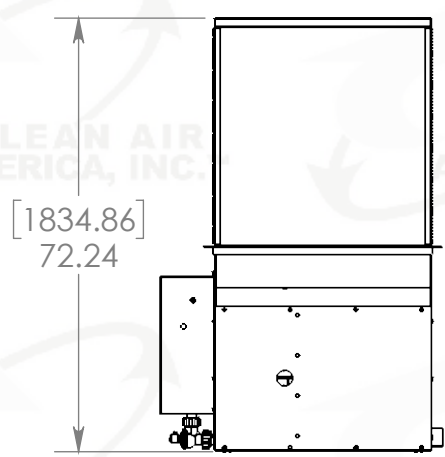
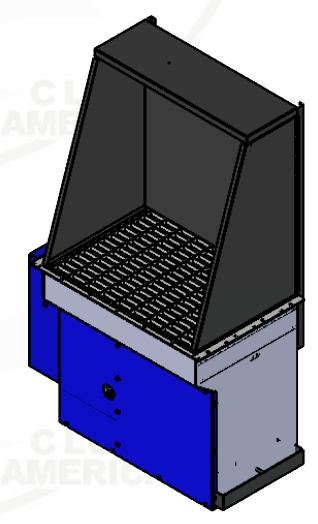
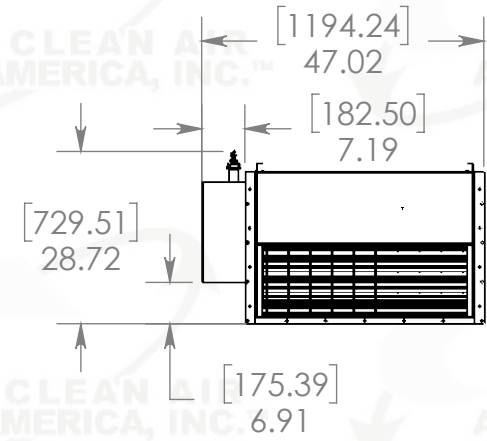


8 7 6 5 4 3 2 1

D  
C  
B  
A



	THE INFORMATION CONTAINED IN THIS DOCUMENT IS THE SOLE PROPERTY OF CLEAN AIR AMERICA, INC. AND MUST BE RETURNED UPON REQUEST. ANY REPRODUCTION OF THIS DOCUMENT, IN WHOLE OR PART, WITHOUT THE WRITTEN PERMISSION OF CLEAN AIR AMERICA, INC. IS STRICTLY PROHIBITED. CAD GENERATED DRAWING. DO NOT MANUALLY UPDATE. DO NOT SCALE DRAWING.		UNLESS OTHERWISE SPECIFIED: ALL BENDS ARE 90°. DIMENSIONS ARE IN: MILLIMETERS AND INCHES. TOLERANCES ARE: FRACTIONS ±1/32 DECIMALS .XX ±.03 ANGLES .X ±1°		ITEM NO. <b>34213</b>	DESCRIPTION <b>DDT 1.5 HP - 1,000 CFM UNIT</b>			QTY per BUILD 1			
	STATION 1	STATION 3	MATERIAL	CAD FILE:	STATION 2	STATION 4	PART SIZE	WEIGHT	DRAWN BY	REVISED BY	SHEET A	SCALE
	----	----	-- Gage	34213 DDT 3x2FT-MAIN ASSY	----	----	--X--	406.5395 lbs	Kelvin	Amadou	PRE	1:32
									Wednesday, December 02, 2020 6:01:03 PM		December 02, 2020 6:18:42 PM	

8 7 6 5 4 3 2 1