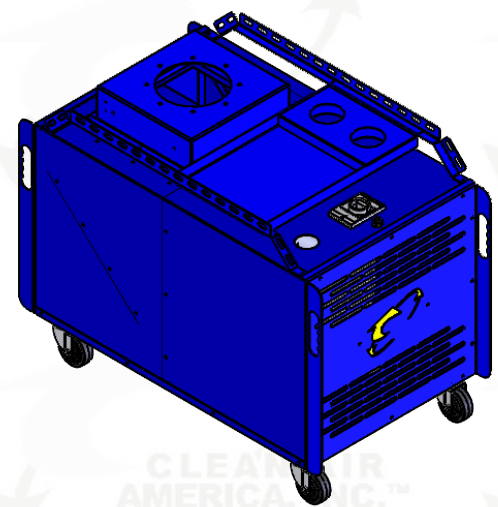
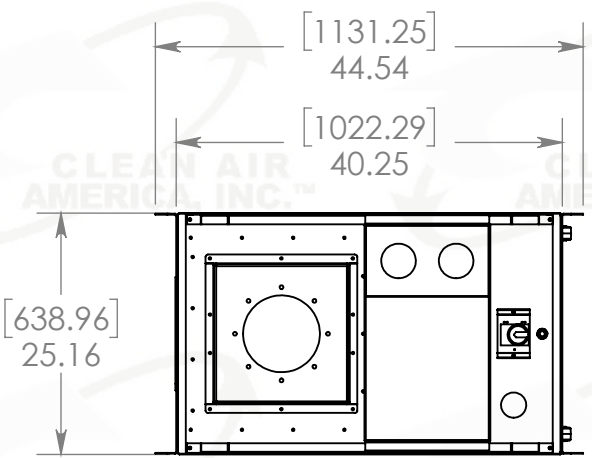


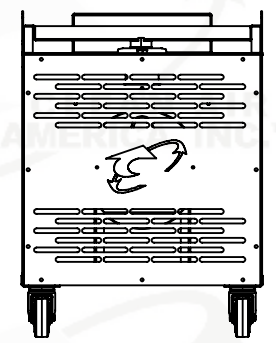
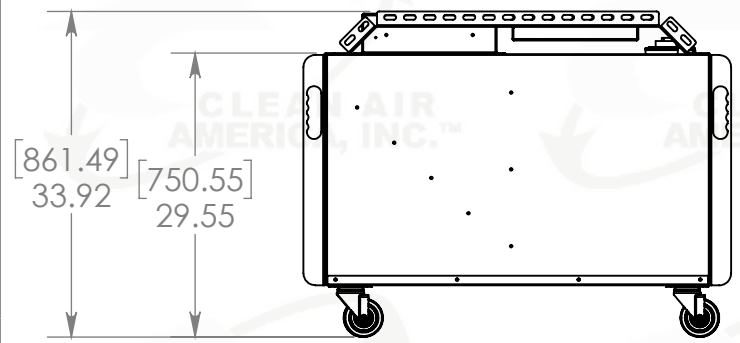
8 7 6 5 4 3 2 1

D



C

B



A



THE INFORMATION CONTAINED IN THIS DOCUMENT IS THE SOLE PROPERTY OF CLEAN AIR AMERICA, INC. AND MUST BE RETURNED UPON REQUEST. ANY REPRODUCTION OF THIS DOCUMENT, IN WHOLE OR PART, WITHOUT THE WRITTEN PERMISSION OF CLEAN AIR AMERICA, INC. IS STRICTLY PROHIBITED.
CAD GENERATED DRAWING. DO NOT MANUALLY UPDATE. DO NOT SCALE DRAWING.

UNLESS OTHERWISE SPECIFIED:
ALL BENDS ARE 90°
DIMENSIONS ARE IN:
MILLIMETERS AND INCHES
TOLERANCES ARE:
FRACTIONS ±1/32 DECIMALS .XX ±.03 ANGLES .X ±1°
XXX ±.015

ITEM NO.	41495		
STATION 1	STATION 3	MATERIAL	CAD FILE:
----	----	-- Gage	P1200HD, Main Assembly
STATION 2	STATION 4	PART SIZE	WEIGHT
----	----	--X--	----

DESCRIPTION	Portable Assembly (P700/P1200HD)		QTY per BUILD	1
DRAWN BY	THURSDAY, DECEMBER 3, 2020 3:46:22 PM	REVISED BY	KEVIN FERRELLA, DECEMBER 3, 2020 3:50:55 PM	SCALE
			1:20	
REV.	MPRE	SHEET: 1 OF 1		

8 7 6 5 4 3 2 1