

ZeroSmoke™ OSC300

Specifications



Specifications

Filter Cartridges:

- (1) First stage fiber bed filter with self-draining media
- (1) First stage fiber bed filter with self draining media
- (1) Third stage HEPA H13 filter, 99.95% efficient at 0.3 microns

Filter Media : Self draining filters allow for capture and reuse of oil

Motor/Blower: 1 HP, Direct Drive, Backward Incline Blower

Electrical Requirements: 3 Ph: 208, 240, or 460 Volt, 2.1-4.6A
1 Ph: 120, 208, or 230 Volt, 8A-16A

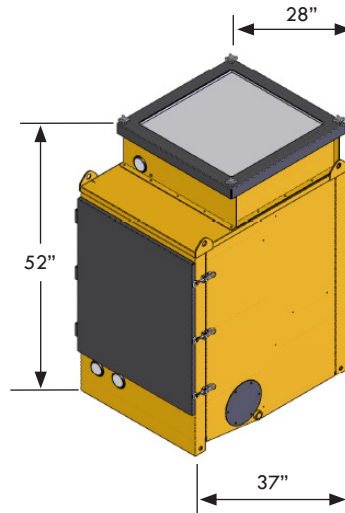
Air Flow: 300 CFM

Oil Draining: Integrated 1 inch NPT drain on bottom of plenum

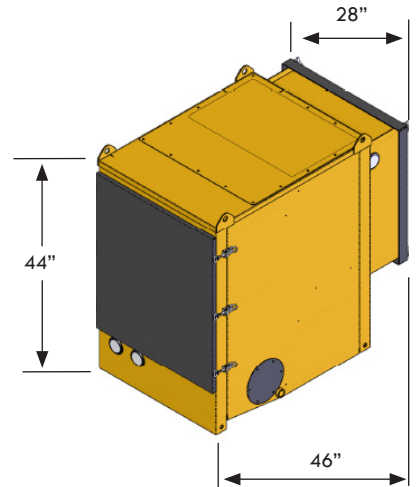
Silencing: Internal Noise Abatement in Motor/Blower
Compartment, 60-70 DBA

Weight: 600 lbs

Dimensions of Unit: Configuration 1 - 52"H x 28"W x 37"D
Configuration 2 - 44"H x 28"W x 46"D



Configuration 1



Configuration 2

Standard Features

Electrical: NEMA 12 Electrical Enclosure with integrated disconnect switch, motor starter, overload, and start/stop button.

Paint: Powder coat finish, standard Clean Air colors to custom colors

Steel Construction: 100% recycled heavy duty 12 gage steel

Gauges: 2 gauges for deep fiber bed filters and 1 for HEPA monitor pressure within filter compartment to identify need to change filters.

Optional Features

VFD: A Variable Frequency Drive for soft start, energy savings and increased motor life.

Economizer: Automatic start/stop based on machining unit

Pump: Optional pump for automatic lubricant recycling

Mounting: Optional mounting options available

Blower & Motor

- Blower: Backward incline, air foil high efficiency
- Direct drive, no belts or chains
- Three phase or single phase input power
 - 3 Ph. : 208, 240, or 460 Volt, 6A - 19A
 - 1 Ph. : 120, 208, or 230 Volt, 8A-16A
- 1 HP motor
- 3,450 RPM motor
- Air volume 300 CFM

- 1 HEPA H13 Filter
- 2 Motor/Blower Noise Abatement
- 3 Stage 1 & 2 Coalescing Fiber Bed Media
- 4 Large Handle Compression Latches and Removable Door
- 5 Dual Entry Plenum

